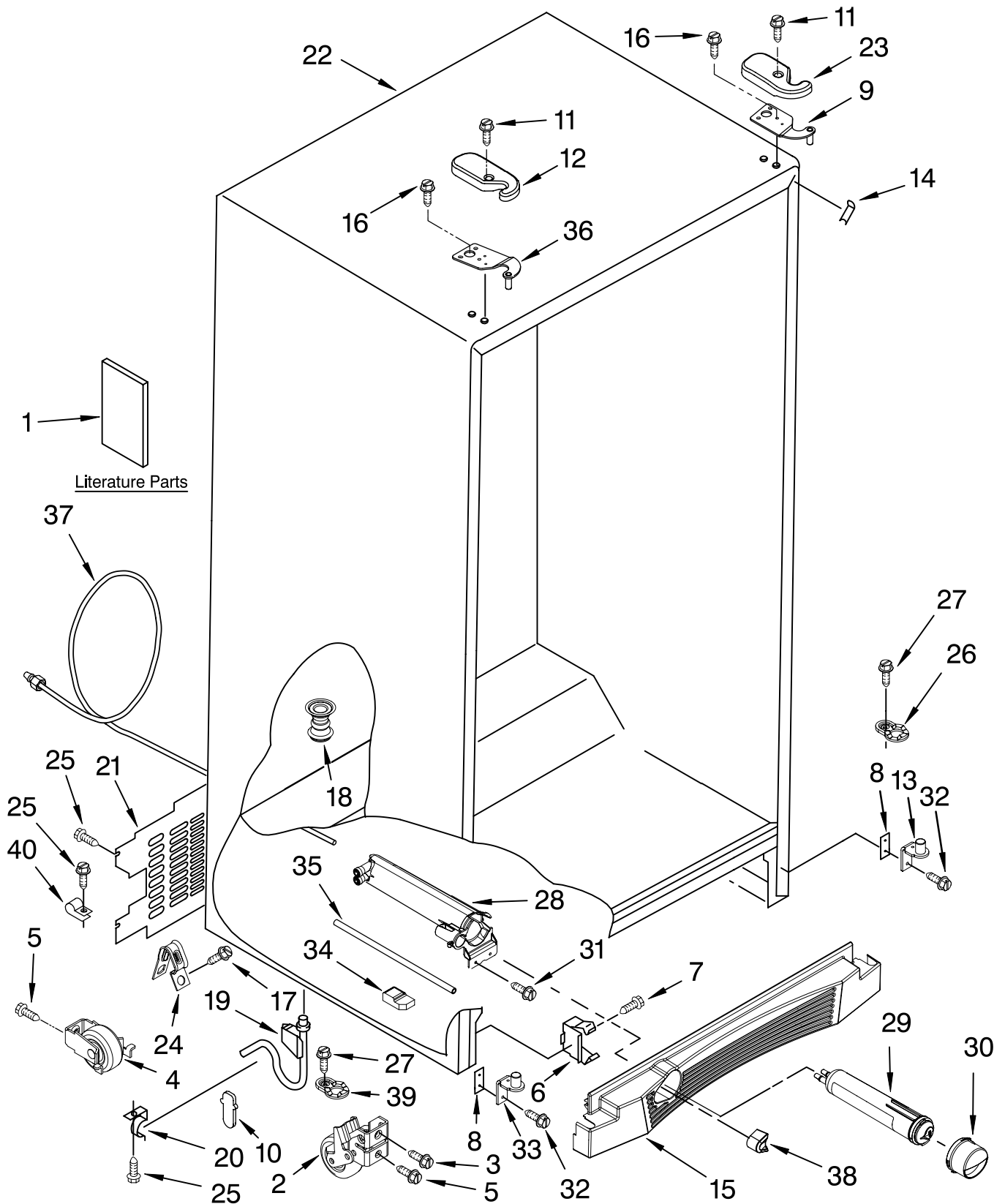




CABINET PARTS

For Model: GS6NVESSL00
(Stainless VCM)

REFRIGERATOR



FOR ORDERING INFORMATION REFER TO PARTS PRICE LIST

CABINET PARTS

For Model: **GS6NVEXSL00**
(Stainless VCM)

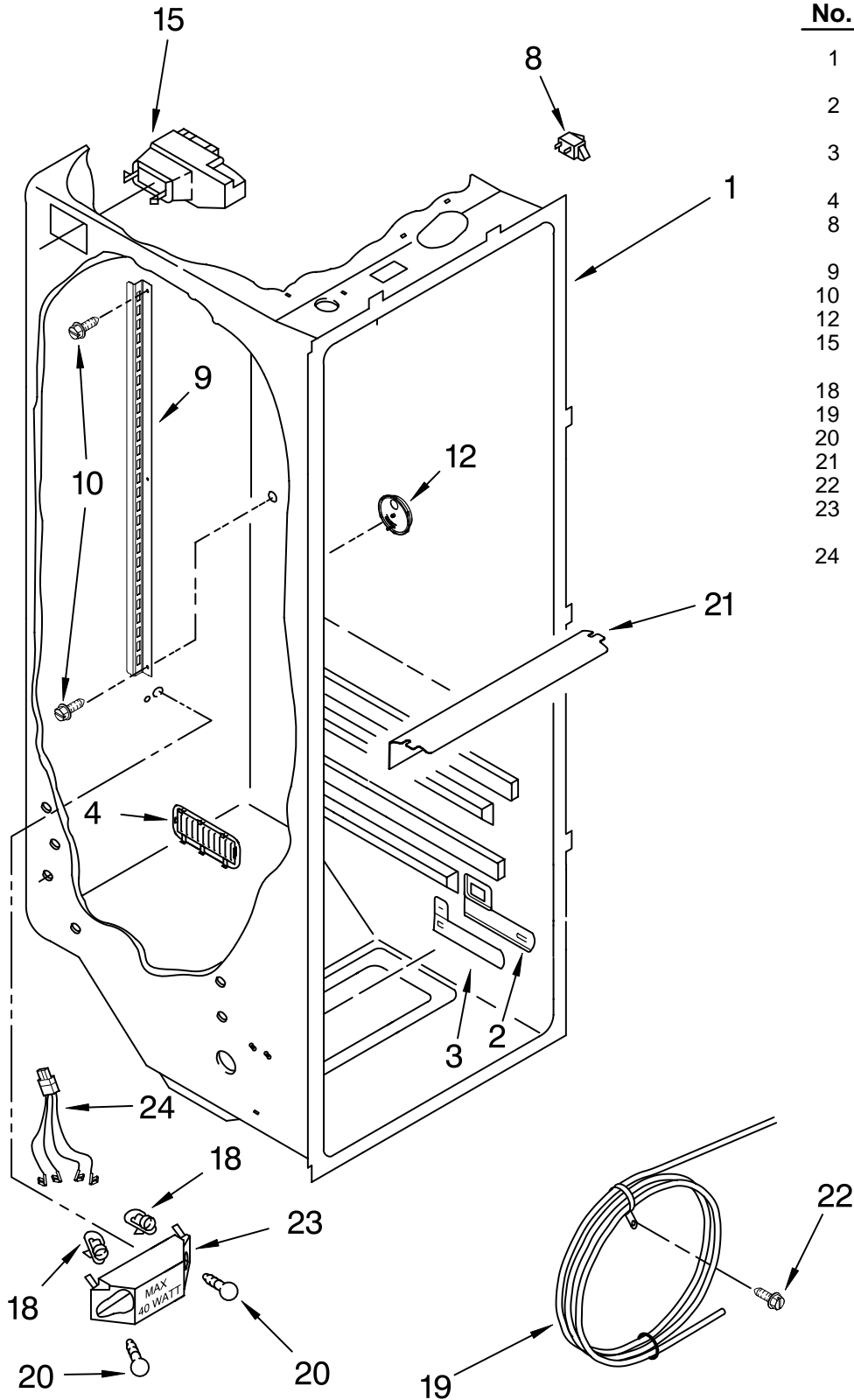
Illus. No.	Part No.	DESCRIPTION	Illus. No.	Part No.	DESCRIPTION	Illus. No.	Part No.	DESCRIPTION
1		Literature Parts	12		Hinge Cover	28	2260507	Housing, Water Filter
	2318829	Energy Guide		2203407B	Black			
	2318587	Owner's Manual	13	2304322	Bottom Hinge (RC)	29	4396841	Water Filter
	2303922	Service Sheet	14		Filler, Wrapper	30		Cap, Water Filter
	2303927	Wiring Sheet		2196097	Black		2260502B	Black
	2220407	Modular Icemaker Service Sheet	15		Grille	31	489500	Screw
	2308394	Instruction Sheet, Door Removal		2303494B	Black	32	3400113	Screw
2	2174748	Front Roller (2)	16	489497	Screw	33	2303141	Bottom Hinge (FC)
3	3400517	Screw	17	489464	Screw	34	2260519	Block, Housing Support
4	2196236	Roller (Rear) (2)	18	940139	Drain Fitting	35	2255012	Tube, Filter Outlet
5	489427	Screw	19	2172932	Extension Tube	36	2203770	Hinge Top (FC)
6	2155013	Clip, Grille	20	1108439	Clip, Drain Tube	37	2255012	Tube, Filter Inlet
7	489478	Screw	21	2188739	Cover, Unit	38		Button, Water Filter
8	2156056	Shim	22		Cabinet (Not A Serviceable Part)		2260503B	Black
9	2203771	Hinge Top (RC)	23		Hinge Cover	39	2223751	Door Closer, FC
10	2172957	Flapper, Drain Extension		2203408B	Black	40	2305373	Clamp, Cord
11	8281227	Screw	24	549193	Clamp, Service Cord			
			25	489084	Screw			
			26	2155311	Door Closer, RC			
			27	489483	Screw			

FOR ORDERING INFORMATION REFER TO PARTS PRICE LIST

REFRIGERATOR LINER PARTS

For Model: GS6NVEXSL00
(Stainless VCM)

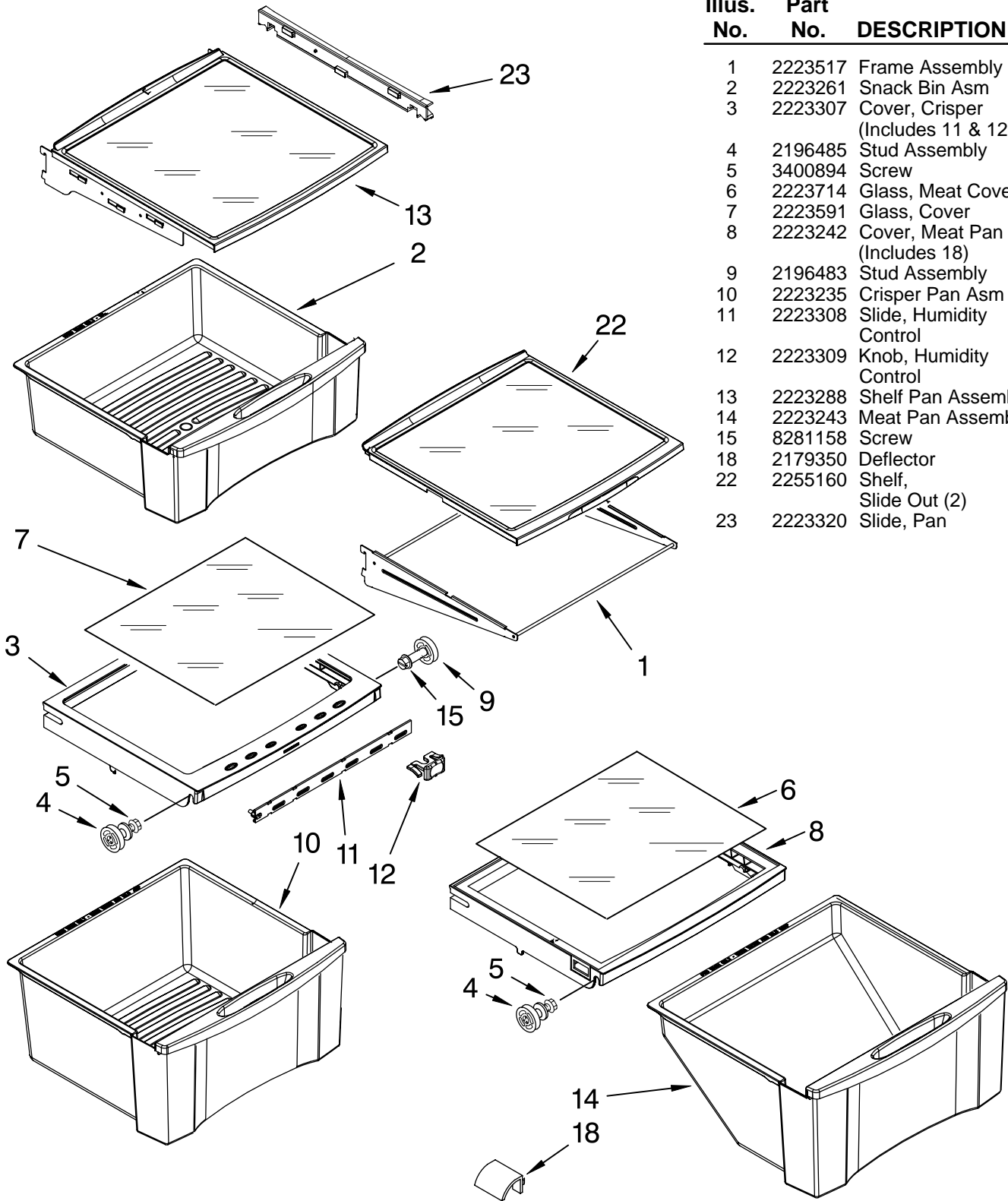
Illus. No.	Part No.	DESCRIPTION
1		Liner (Not A Serviceable Part)
2	2194744	Escutcheon, Meat Pan Control
3	2182757	Slide Meat Pan Control
4	2257741	Louver
8	1118894	Switch, Rocker Arm
9	2206273	Shelf Ladder
10	489478	Screw
12	2261601	Door Control Asm
15	2209753	Air Diffuser Assembly
18	2162085	Socket
19	2305226	Reservoir
20	2255743	Light Bulb
21	2209769	Light Lens
22	488280	Screw
23	2256035	Bracket, Dual Crisper
24	2256037	Wire Harness, Dual Crisper



FOR ORDERING INFORMATION REFER TO PARTS PRICE LIST

REFRIGERATOR SHELF PARTS

For Model: GS6NVEXSL00
(Stainless VCM)

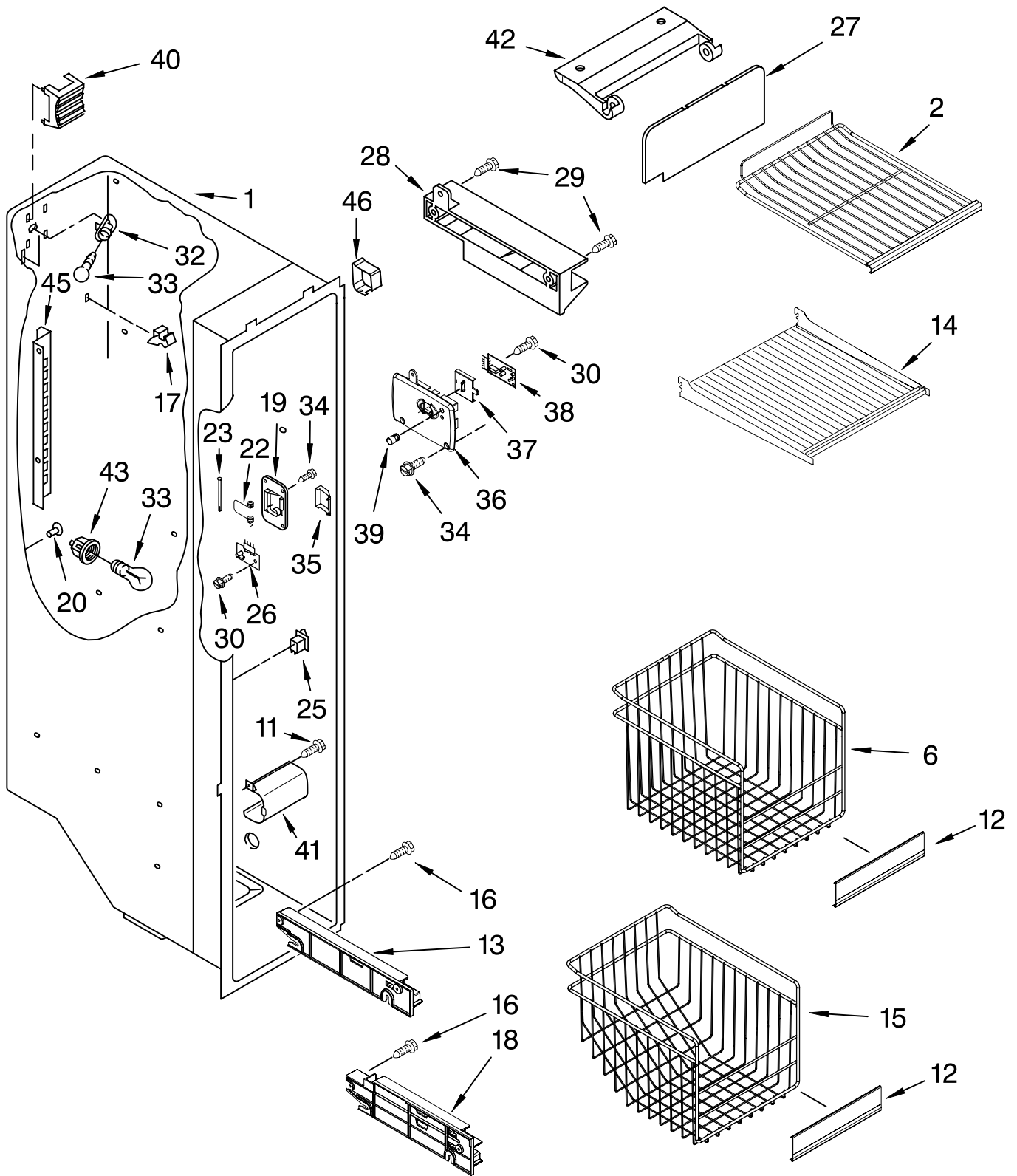


Illus. No.	Part No.	DESCRIPTION
1	2223517	Frame Assembly (2)
2	2223261	Snack Bin Asm
3	2223307	Cover, Crisper (Includes 11 & 12)
4	2196485	Stud Assembly
5	3400894	Screw
6	2223714	Glass, Meat Cover
7	2223591	Glass, Cover
8	2223242	Cover, Meat Pan (Includes 18)
9	2196483	Stud Assembly
10	2223235	Crisper Pan Asm
11	2223308	Slide, Humidity Control
12	2223309	Knob, Humidity Control
13	2223288	Shelf Pan Assembly
14	2223243	Meat Pan Assembly
15	8281158	Screw
18	2179350	Deflector
22	2255160	Shelf, Slide Out (2)
23	2223320	Slide, Pan

FOR ORDERING INFORMATION REFER TO PARTS PRICE LIST

FREEZER LINER PARTS

For Model: GS6NVEXSL00
(Stainless VCM)



FOR ORDERING INFORMATION REFER TO PARTS PRICE LIST

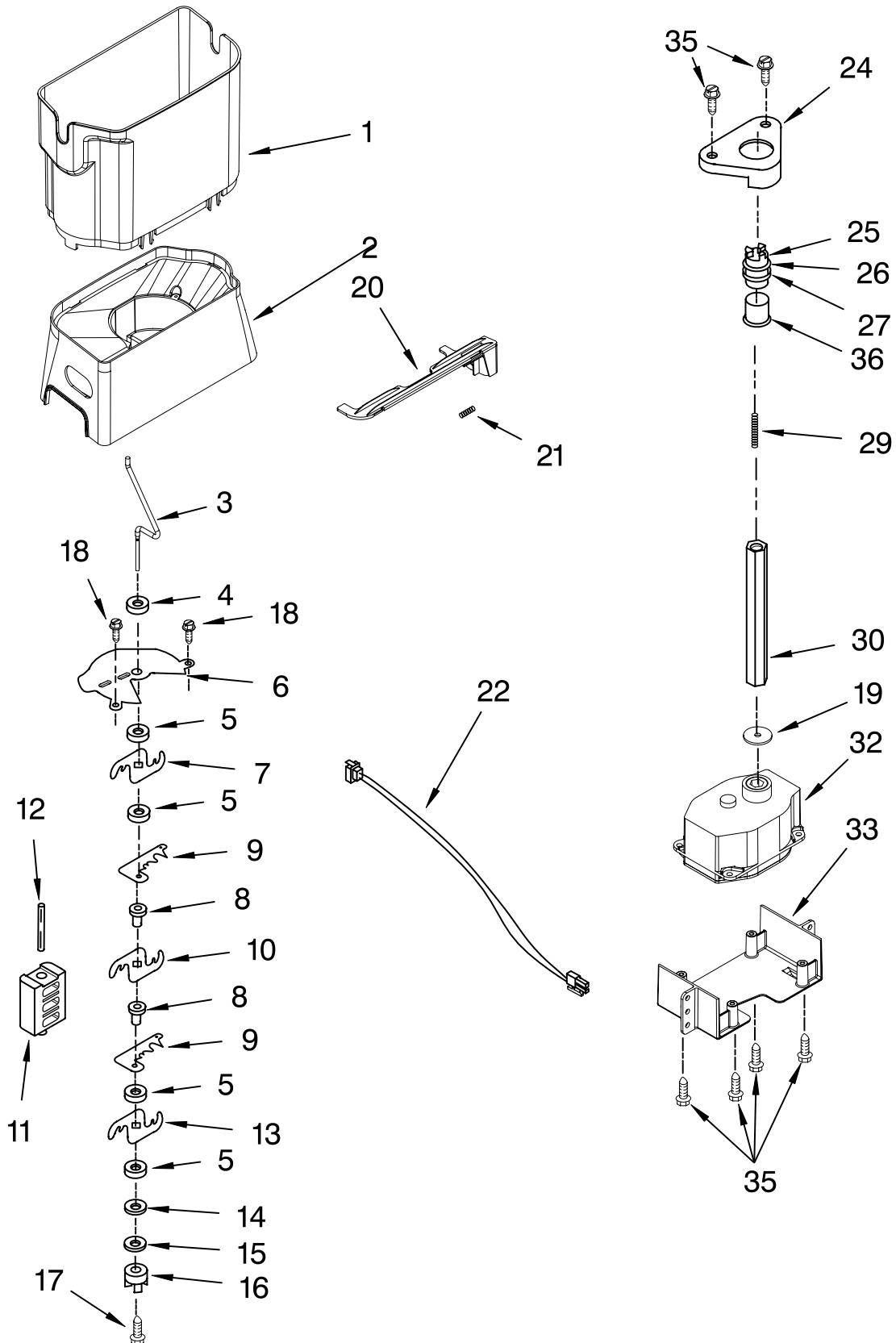
FREEZER LINER PARTS

For Model: GS6NVEXSL00
(Stainless VCM)

Illus. No.	Part No.	DESCRIPTION
1		Liner (Not A Serviceable Part)
2	2211746K	Shelf, Slide Out
6	2301190	Basket, Tall
11	3400893	Screw
12	2195905K	Trim, Basket
13		Shelf Track
	2301289	Right Side
	2301290	Left Side
14	2205837K	Shelf (2)
15	2301191	Basket, Sloped
16	486298	Screw (8)
17	842534	Clip, Air Duct (2)
18		Shelf Track, Dual
	2301293	Right Side
	2301294	Left Side
19	2255572	Cover, Emitter
20	941839	Hole Plug
22	2198635	Spring
23	2198634	Pin
25	1115373	Switch, Rocker Arm
26	2220398	P.C. Board Emitter
27	2255588	Cover, Ice Maker
28	2212321	Slide, Ice Maker Mounting
29	489478	Screw
30	489214	Screw
32	2162085	Light Socket
33	2255743	Light Bulb
34	8281185	Screw
35	2198633	Flipper
36	2255558	Cover, Receiver
37	2255562	Slide, Ice Maker Shut Off
38	2255114	P.C. Board, Receiver
39	2198643	Lens
40	2198589	Light Shield
41	2212340	Light Lens
42	2198641	Bracket, Ice Maker Cover
43	2155597	Socket,
45		Light Ladder
	2198609	Left Side
	2198610	Right Side
46	2303234	Shield, Wiring

MOTOR AND ICE CONTAINER PARTS

For Model: GS6NVEXSL00
(Stainless VCM)



FOR ORDERING INFORMATION REFER TO PARTS PRICE LIST

MOTOR AND ICE CONTAINER PARTS

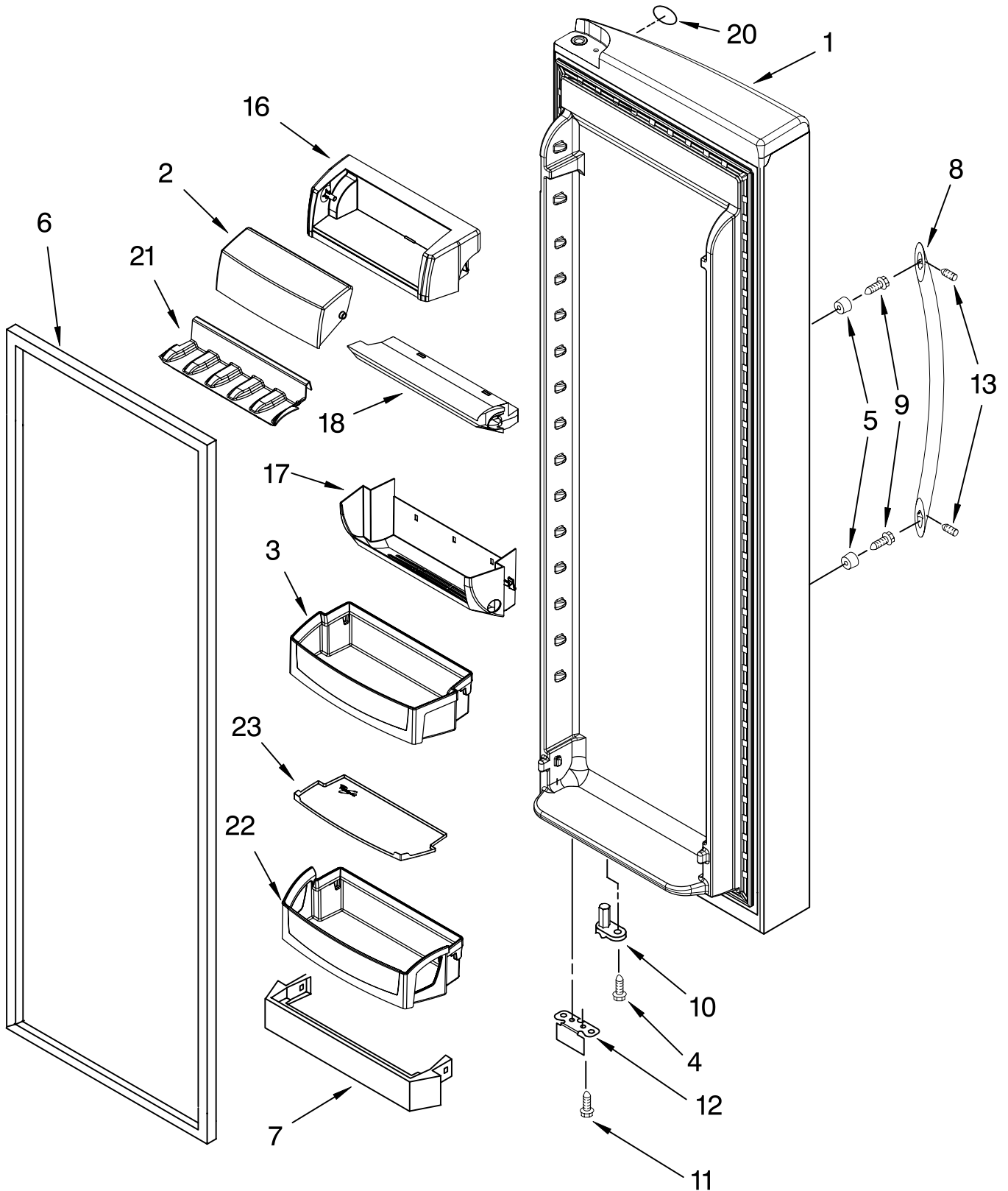
For Model: GS6NVEXSL00
(Stainless VCM)

<u>Illus.</u> <u>No.</u>	<u>Part</u> <u>No.</u>	<u>DESCRIPTION</u>
1	2305336	Ice Bin
2	2305206	Crusher Bin
3	2258222	Auger
4	2258220	Washer, Auger
5	1119007	Spacer, Flat (4)
6	2305244	Cover, Crusher
7	2257024	Blade, Rotary
8	1119005	Spacer, Step (2)
9	2257020	Blade, Fixed
10	2257023	Blade, Rotary
11	2198602	Block, Blade
12	489229	Roll Pin
13	2257022	Blade, Rotary
14	489235	Washer, Plain
15	2198661	Washer, Coupling
16	2220457	Coupling
17	8281164	Screw
18	3400065	Screw
19	2305382	Rubber Boot
20	2305443	Latch, Bin
21	2198608	Spring, Latch
22	2187813	Wire Assembly, IDI Motor
24	2212369	Holder
25	2220458	Coupling, Bottom
26	2198628	Seal
27	2212370	Washer
29	2198607	Spring
30	2305243	Drive Shaft
32	2252130	Dispenser, Motor
33	2305208	Bracket, Motor
35	8281163	Screw
36	2212365	Sleeve, Coupling
100	2305444	Ice Container (Complete)

FOR ORDERING INFORMATION REFER TO PARTS PRICE LIST

REFRIGERATOR DOOR PARTS

For Model: GS6NVEXSL00
(Stainless VCM)



FOR ORDERING INFORMATION REFER TO PARTS PRICE LIST

REFRIGERATOR DOOR PARTS

For Model: GS6NVEXSL00
(Stainless VCM)

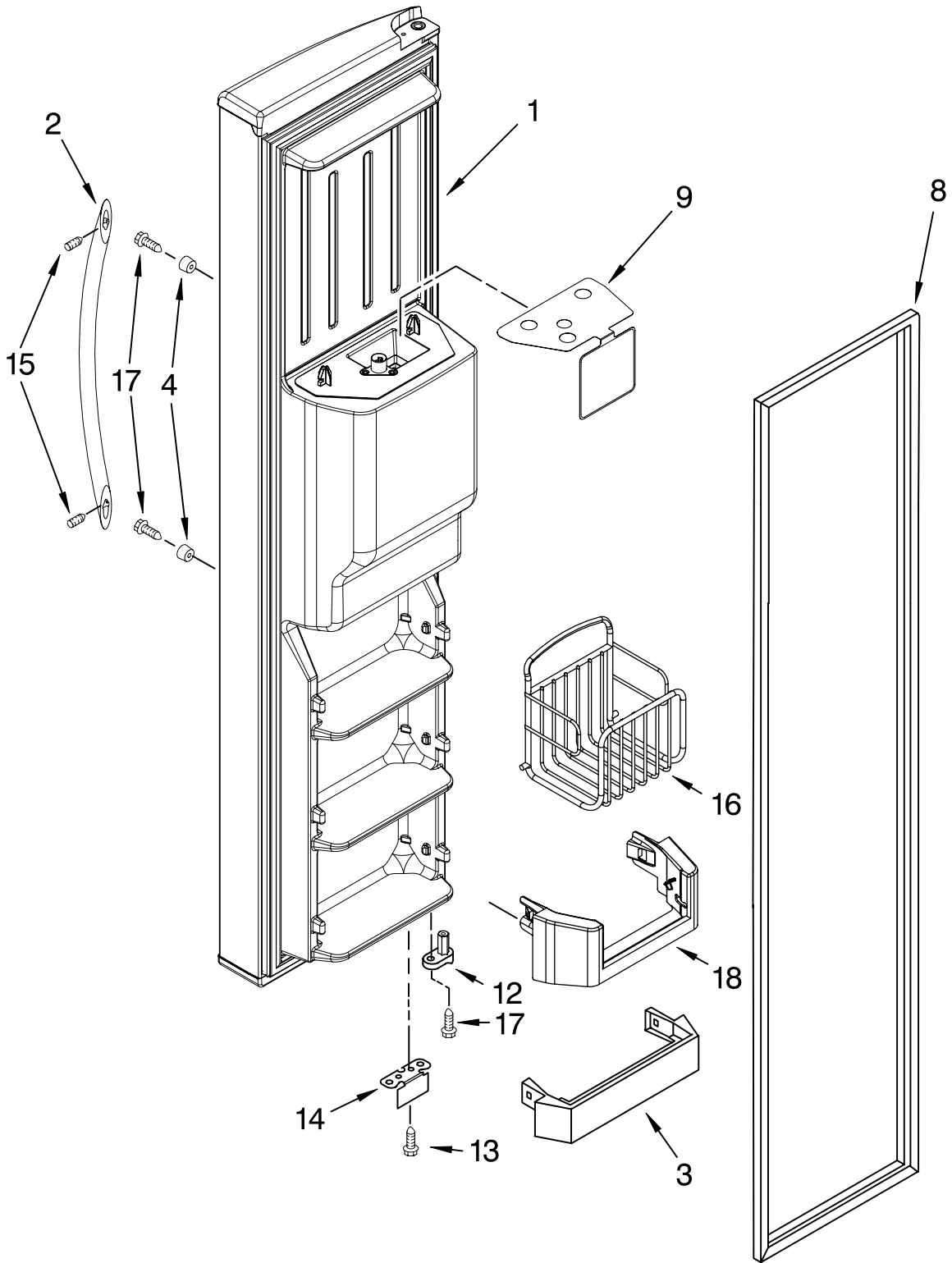
Illus. No.	Part No.	DESCRIPTION
1		Refrigerator Door (Includes Item #6)
	2303522LB	Stainless VCM
2	2255421	Dairy Door
3	2223239K	Door Bin (2)
4	3400012	Screw
5	2219698	Stud, Handle
6		Door Gasket, Magnetic
	2221313	Black
7	2223727	Trivet
8		Handle
	2319729S	Stainless
9	488208	Screw
10	2182178	Door Closer, Upper Cam
11	489420	Screw
12		Bracket, Door Stop
	2200082B	Black
13	W10010140	Screw
16	2255420	Door Compartment
17	2255422	Frame, Can Rack
18	2255424	Air Diffuser Asm
20	2220214	Nameplate
21	2255423	Floor, Can Rack
22	2223463K	Door Bin
23	2223464K	Mat, Bin

FOLLOWING PARTS NOT ILLUSTRATED

2315057K Water Bottle

FREEZER DOOR PARTS

For Model: GS6NVEXSL00
(Stainless VCM)



FOR ORDERING INFORMATION REFER TO PARTS PRICE LIST

FREEZER DOOR PARTS

For Model: GS6NVEXSL00
(Stainless VCM)

Illus. No.	Part No.	DESCRIPTION
1		Freezer Door (Includes #8
	2303516LB	Stainless VCM
2		Handle
	2319729S	Stainless
3	2171157K	Trivet
4	2219698	Stud, Handle
8		Door Gasket, Magnetic
	2221314	Black
9	2305474	Safety Barrier
12	2223752	Door Closer, Upper Cam
13	489420	Screw
14		Bracket, Door Stop
	2303113B	Black
15	W10010140	Screw, Set
16	2304309	Basket, Tilt-Out (2)
17	3400012	Screw
18	2223334	Trivet, Tilt-Out (2)

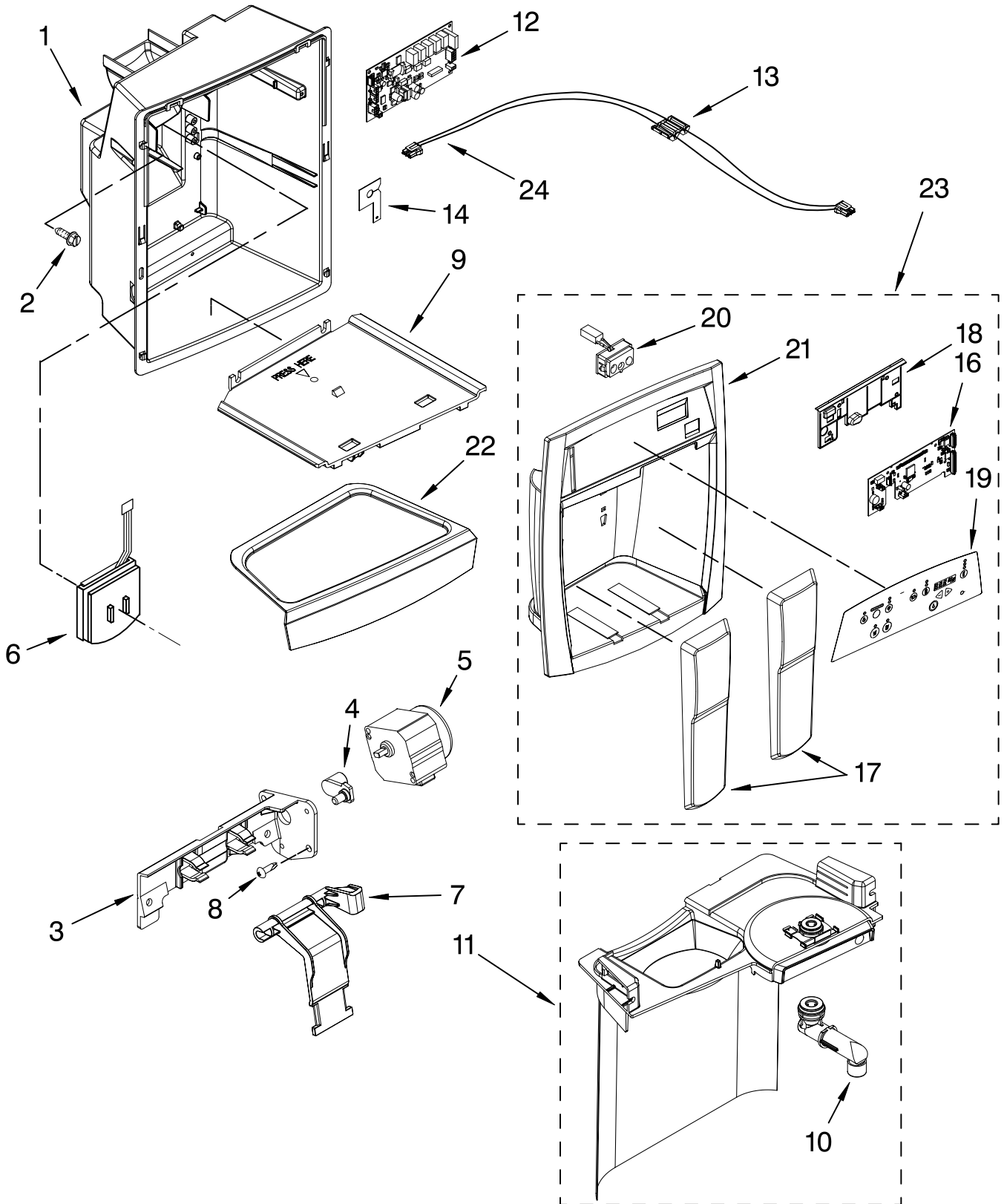
Following Parts Not Illustrated

2310019 Wire Assembly,
Freezer Door

2305228 Tube,
Water Dispenser

DISPENSER FRONT PARTS

For Model: GS6NVEXSL00
(Stainless VCM)



FOR ORDERING INFORMATION REFER TO PARTS PRICE LIST

DISPENSER FRONT PARTS

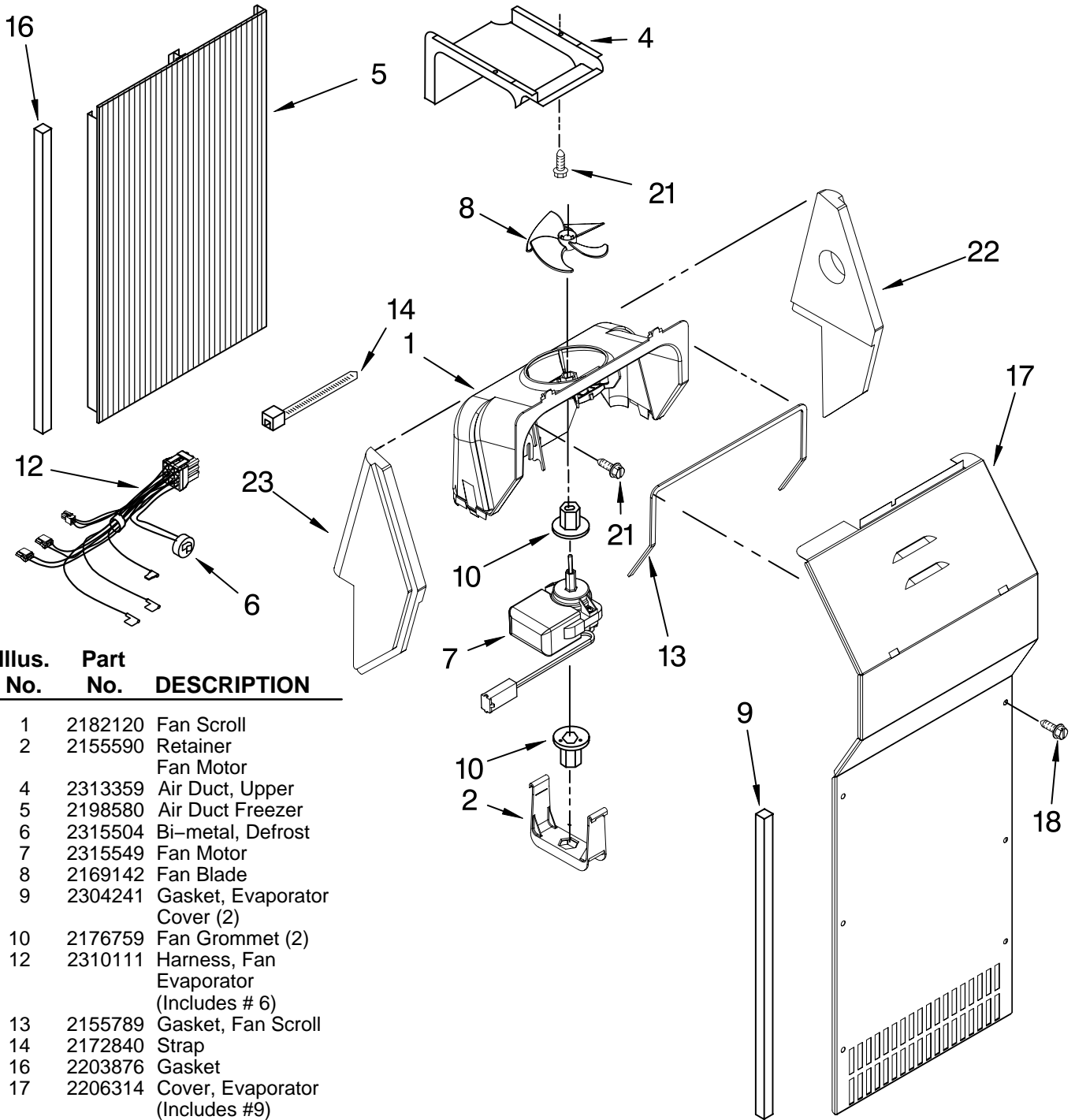
For Model: GS6NVEXSL00
(Stainless VCM)

Illus. No.	Part No.	DESCRIPTION
1		Housing, Dispenser (Not Serviced)
2	8281163	Screw (4)
3	2305202	Bracket, Motor
4	2305242	Connector, Door Bracket
5	2305262	Motor, Ice Door
6	2305258	Door, Ice
7	2305204	Support, Ice Door
8	4449745	Screw (2)
9		Grille, Slide
	2305213B	Black
10	2305236	Spigot
11		Separator Assembly
	2305458B	Black
12	2303843	Electronic Control (Core)
13	2308165	Ferrite Bead
14	2305447	Clip, Wiring
16	2304163	Electronic Control (User Interface)
17		Pad, Ice & Water
	2305247GM	For Stainless VCM Model
18	2305219	Cover, Electronic Control
19		Overlay, Front Cover (Not Available Order #23)
20	2303841	LED Assembly
21		Front Cover, Housing (Not Available, Order #23)
22		Tray, Housing
	2305253B	Black
23		Front Cover Assembly (Includes Items 16, 17, 18, 19, 20, & 21)
	2305257B	Black
24	2187814	Wire Assembly, User Interface

FOR ORDERING INFORMATION REFER TO PARTS PRICE LIST

AIR FLOW PARTS

For Model: GS6NVEXSL00
(Stainless VCM)

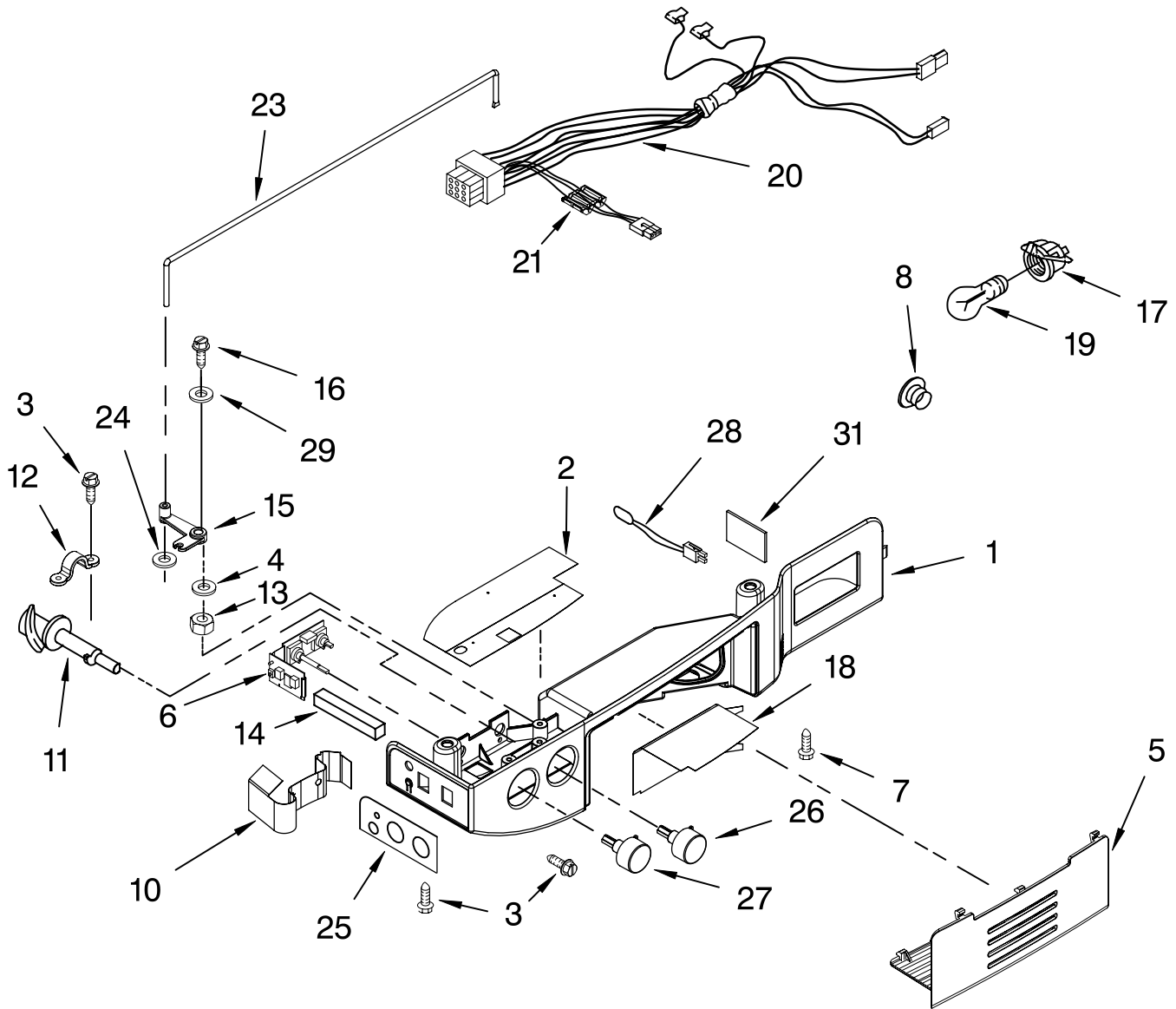


Illus. No.	Part No.	DESCRIPTION
1	2182120	Fan Scroll
2	2155590	Retainer Fan Motor
4	2313359	Air Duct, Upper
5	2198580	Air Duct Freezer
6	2315504	Bi-metal, Defrost
7	2315549	Fan Motor
8	2169142	Fan Blade
9	2304241	Gasket, Evaporator Cover (2)
10	2176759	Fan Grommet (2)
12	2310111	Harness, Fan Evaporator (Includes # 6)
13	2155789	Gasket, Fan Scroll
14	2172840	Strap
16	2203876	Gasket
17	2206314	Cover, Evaporator (Includes #9)
18	8281159	Screw (6)
21	489478	Screw
22	2203595	Support, R.S.
23	2203596	Support, L.S.

FOR ORDERING INFORMATION REFER TO PARTS PRICE LIST

CONTROL PARTS

For Model: GS6NVEXSL00
(Stainless VCM)



Illus. No.	Part No.	DESCRIPTION
1	2255222	Control Box
2	2261773	Shield
3	3196537	Screw (4)
4	3400972	Washer
5	2255225	Lens, Light
6	2304103	Electronic Control
7	489084	Screw (2)
8	940014	Hole Plug
10	2305538	Shield, Electrical (Internal)

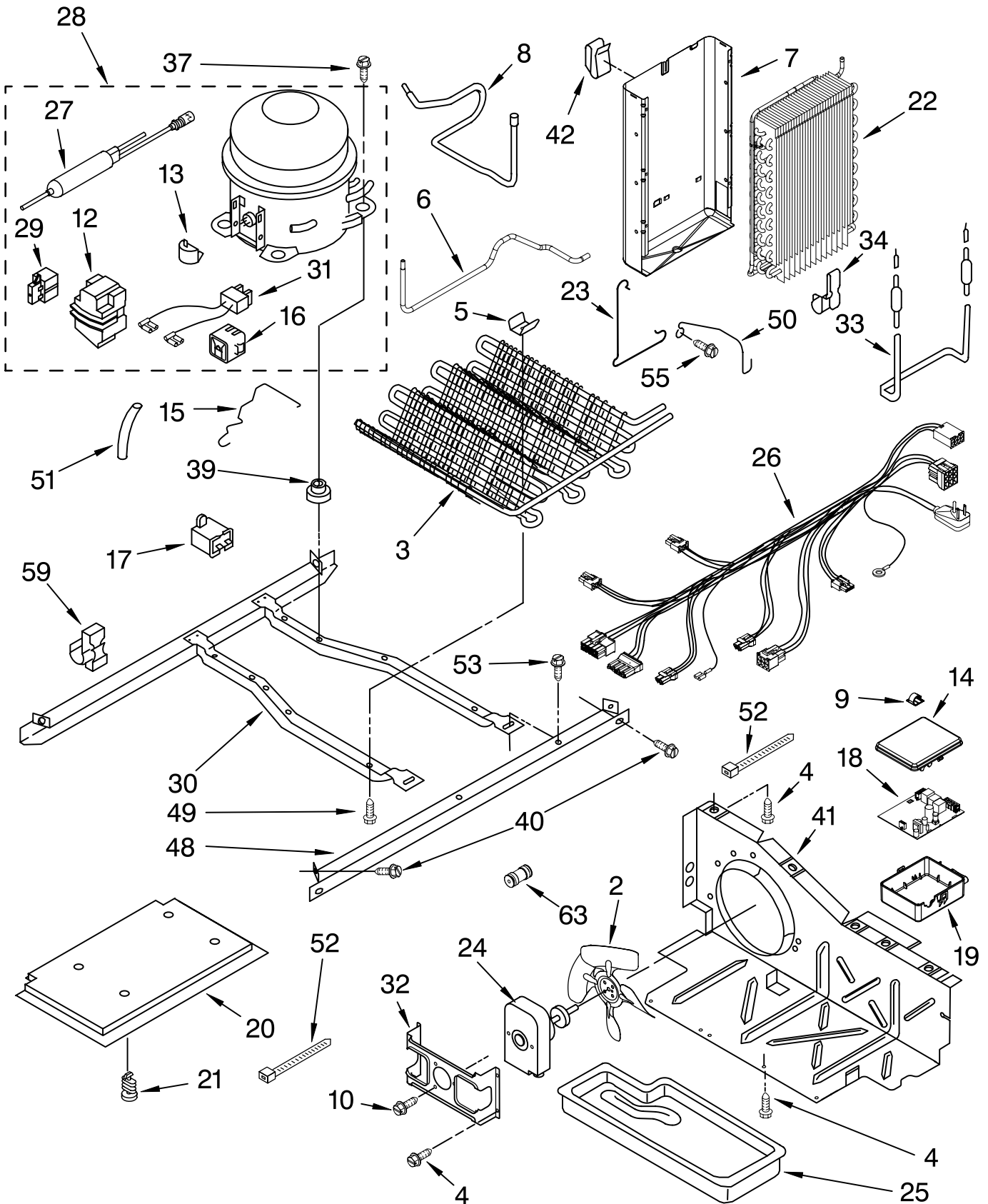
Illus. No.	Part No.	DESCRIPTION
11	2255226	Cam Assembly
12	2255413	Bearing Body
13	3400971	Nut, Hex
14	2188928	Foam, Shield
15	2255227	Pivot Arm
16	627068	Screw
17	2162085	Light Socket
18	2255666	Shield, Heat
19	2255743	Light Bulb
20	2187965	Control Box Harness (Includes # 21)

Illus. No.	Part No.	DESCRIPTION
21	2308165	Ferrite Bead
23	2255228	Connecting Rod
24	489285	Fastener, Push-On
25	2255611	Escutcheon, Control Box
26	2255232	Knob, RC
27	2255992	Knob, FC
28	2188819	Thermistor
29	489203	Spring Washer
31	2261265	Air Seal, Thermistor

FOR ORDERING INFORMATION REFER TO PARTS PRICE LIST

UNIT PARTS

For Model: GS6NVEXSL00
(Stainless VCM)



FOR ORDERING INFORMATION REFER TO PARTS PRICE LIST

UNIT PARTS

For Model: **GS6NVEXSL00**
(Stainless VCM)

Illus. No.	Part No.	DESCRIPTION
2	2225834	Fan, Blade
3	2223953	Condenser Assembly
4	489464	Screw
5	2216914	Clip, Condenser
6	2261599	Tube, Condenser to Heat Loop
7	2304289	Heat Shield And Drain Pan
8	2205765	Tube, Suction
9	1115374	Clip, Wiring
10	8533993	Screw
12	4387731	Cover (Service Only)
13	2154697	Overload (Service Only)
14	2255624	Cover
15	2255199	Clip, Retaining
16	2255198	Start-Device, Combination (Start Relay and Overload) for Production Compressor Only
17		Capacitor
	2169373	Production
	1118576	Service
18	2304078	Electronic Control
19	2255623	Control Box
20	2206281	Unit Cover, Bottom
21	489396	Clip
22	2188823	Evaporator
23	2161324	Clip

Illus. No.	Part No.	DESCRIPTION
24	2188874	Motor, Fan
25	1105523	Tray, Evaporator
26	2187817	Harness, Unit
27		Drier
	2319825	Production
	4387019	Service
28	2255197	Compressor (Includes Items 12, 13, 17, 27, 29, 31 & 39) (Also Order 876765 Tube Kit)
29	2183454	Relay (Service Only)
30	2157397	Unit Mounting Frame
31	4387765	Wire, Capacitor (Service Only)
32	2181929	Bracket, Fan Motor
33	2188175	Heater, Defrost
34	2304287	Clip, Heater
37	489373	Screw
39		Grommet (4)
	1100826	Production
	4387558	Service
40	489340	Screw
41	2196202	Air Baffle
42	2155547	Clip, Heat
48	2305374	Unit Mounting Rail
49	8281232	Screw

Illus. No.	Part No.	DESCRIPTION
50	2260517	Guard, Fan
51	2161302	Sleeve
52	2172840	Wire Tie
53	489427	Screw
55	489478	Screw
59	2261316	Clip, Wire & Tube
63	2305227	Union

Following Parts Not Illustrated and Optional Parts Not Included

978025	Valve, Access (1/4")
978026	Valve, Access (5/16")
978027	Valve, Access (3/8")
978028	Valve, Access (1/2")
978029	Valve, Access (5/8")
978030	Valve, Access (3/4")
876764	Valve, Access (3/16")

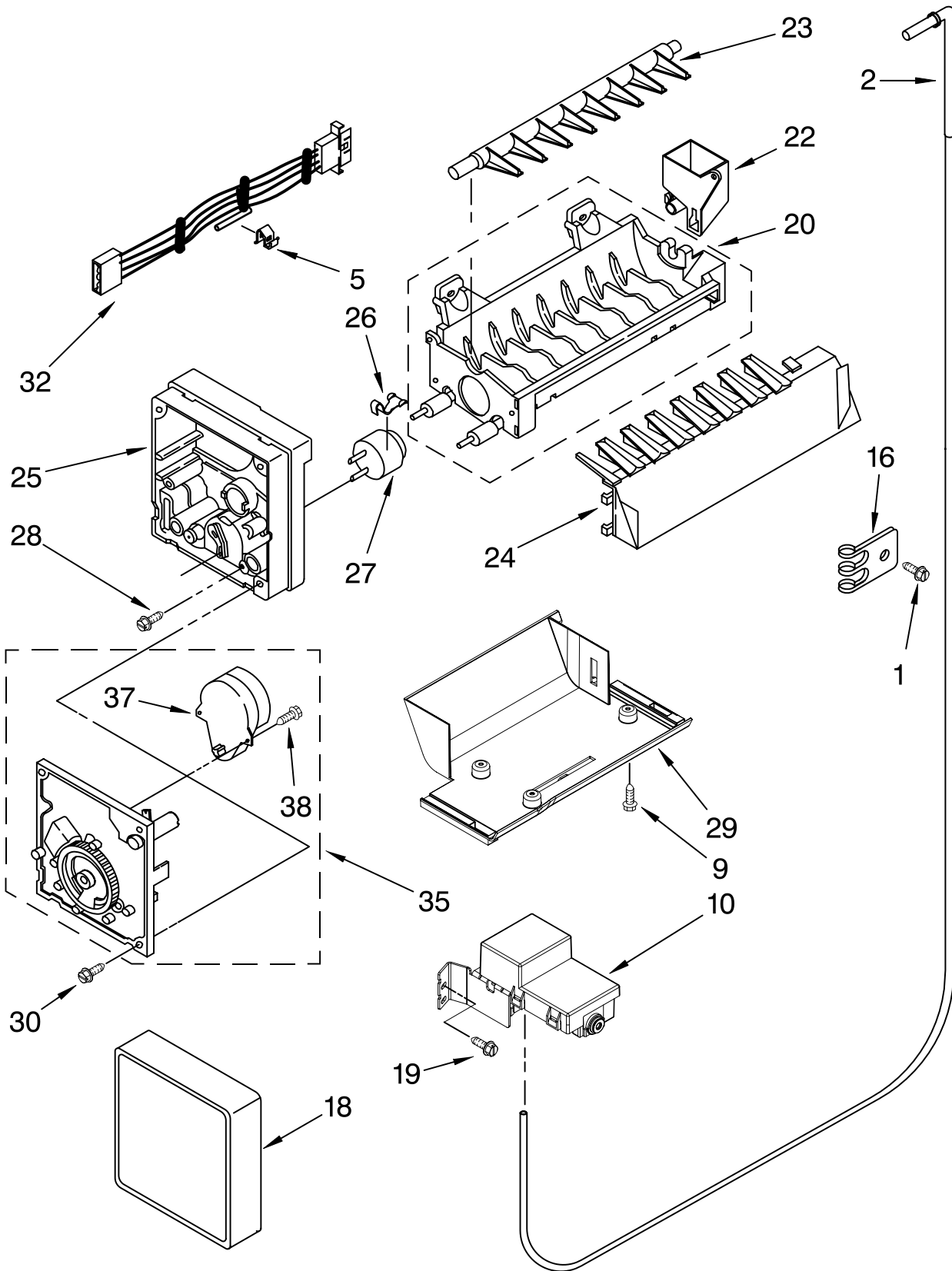
REFRIGERANT CHARGE

5.0 oz.
(R-134A)



ICEMAKER PARTS

For Model: GS6NVEXSL00
(Stainless VCM)



FOR ORDERING INFORMATION REFER TO PARTS PRICE LIST

ICEMAKER PARTS

For Model: GS6NVEXSL00
(Stainless VCM)

Illus. No.	Part No.	DESCRIPTION
1	489084	Screw
2	2256096	Fitting, Water Tube
5	628379	Clip, Fuse
9	489478	Screw
10	2305225	Smart Valve
16	2305274	Clip, Tube
18	2174358	Cover
19	488649	Screw
20	628228	Mold & Heater Assembly (Also Order 542638 Silicone Grease)
22	628356	Bearing & Inlet
23	627843	Ejector
24	2198598	Ice Stripper
25	2194712	Support
26	2315522	Retainer, Thermostat
27	627985	Thermostat (Also Order 542369 Cement Alumilastic)
28	8533917	Screw
29	2303583	Bracket, Ice Maker Mounting
30	489276	Screw
32	2187467	Harness, Wiring
35	626678	Module Assembly (Includes Items 37 & 38)
37	626676	Motor
38	489136	Screw
100	2198597	Icemaker Assembly

OPTIONAL PARTS (NOT INCLUDED)

For Model: GS6NVEXSL00
(Stainless VCM)

Illus. No.	Part No.	DESCRIPTION
<u>PAINT, PRESSURIZED SPRAY (12 oz.)</u>		
	*350942	Primer, White
	*350939	Black
	*350930	White
	*4392901	Biscuit
	*8171357	Graphite
<u>PAINT, TOUCH-UP (1/2oz.)</u>		
	72017	White
	4392899	Biscuit
	72032	Black
	80051	Graphite
<p>*Important: The spray paint is not to be used where the paint may make contact with the door gaskets.</p>		
<u>PAINT, BULK (1 qt.)</u>		
	799340	Black
	799344	White
	4392900	Biscuit
	8171358	Graphite

Illus. No.	Part No.	DESCRIPTION
<u>Miscellaneous</u>		
	8129	Coil Brush
	212643	Sealer, Gum (4 Feet)
	479502	Tape, Vinyl (3/4 x 108")
	505587	Sealer, Mastic (1 Qt.)
	503695	Cork, Sealer (1/4 Pound)
	542638	Grease, Silicone (1/2 Oz.)
	542639	Cement, Alumilastic (1-1/4 Oz.)
	799833	Kit, Evaporator Repair (Aluminum Epoxy)
	833938	Kit, Terminal Connector

Illus. No.	Part No.	DESCRIPTION
<u>ACCESSORIES</u>		
	2217192	Cleaner, Stainless Steel
<u>TORX SCREW WRENCH</u>		
	1117510	Torx Key

FOR ORDERING INFORMATION REFER TO PARTS PRICE LIST